

Specification of: REM 11-0450-43-13-J

High performance Centrifugal fan Nicotra Gebhardt rotavent with PREMIUM EFFICIENCY motor in efficiency class IE3 (IEC 60034-30)

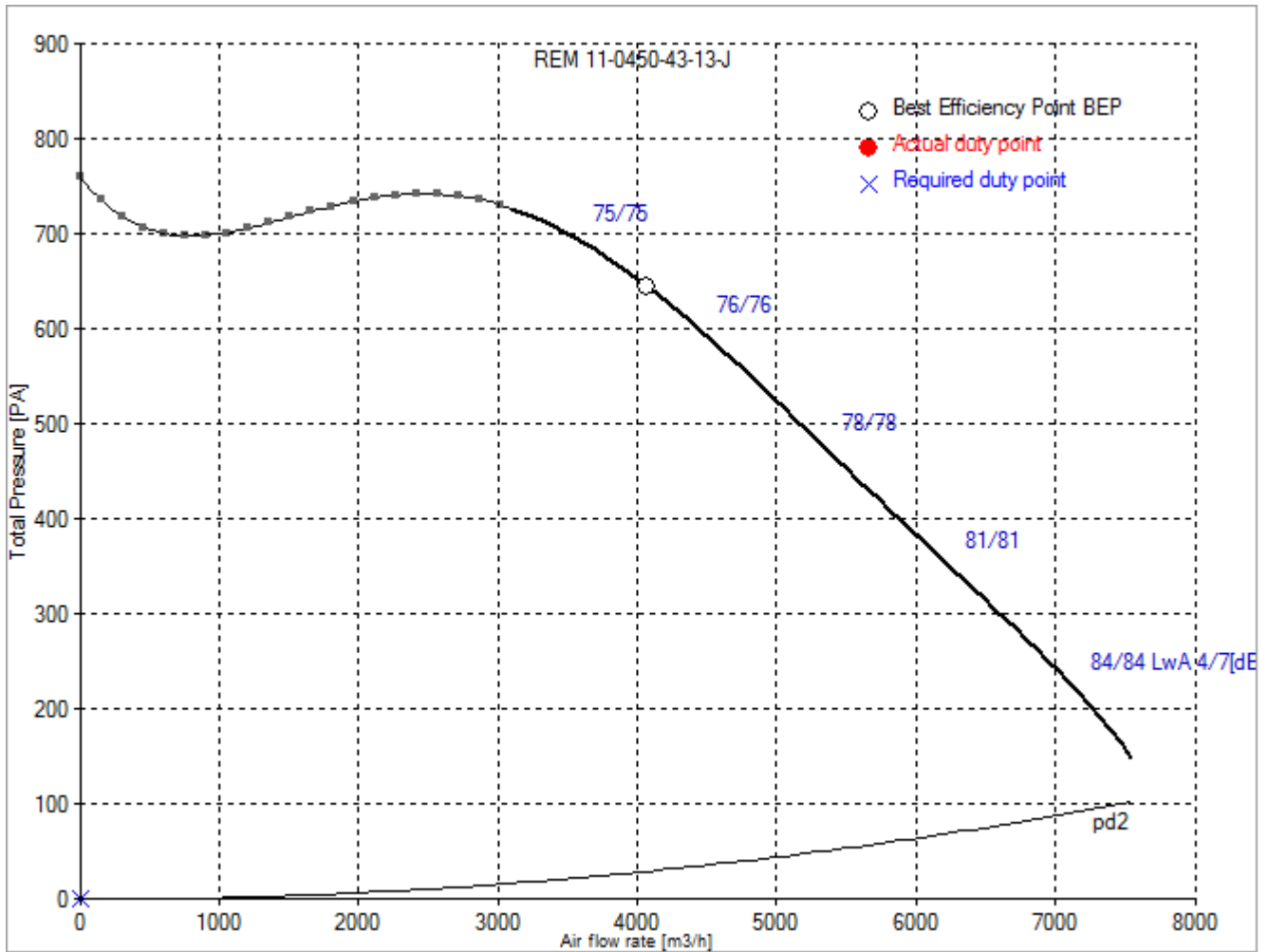
Single inlet with direct drive. Lap-jointed scroll housing made from galvanised steel sheet, without pedestal for vertical or horizontal mounting. Radial impeller with backward curved aerofoil blades, degreased, iron phosphated and coated. Motor B5, mounted outside the airstream. Impeller and shaft statically and dynamically balanced in accordance with DIN ISO 21940-11, completely maintenance free. The motor is equipped with PTC Thermistors as a standard. Three phase 400 V, 50 Hz, single speed.

Technical data of the fan: REM 11-0450-43-13-J

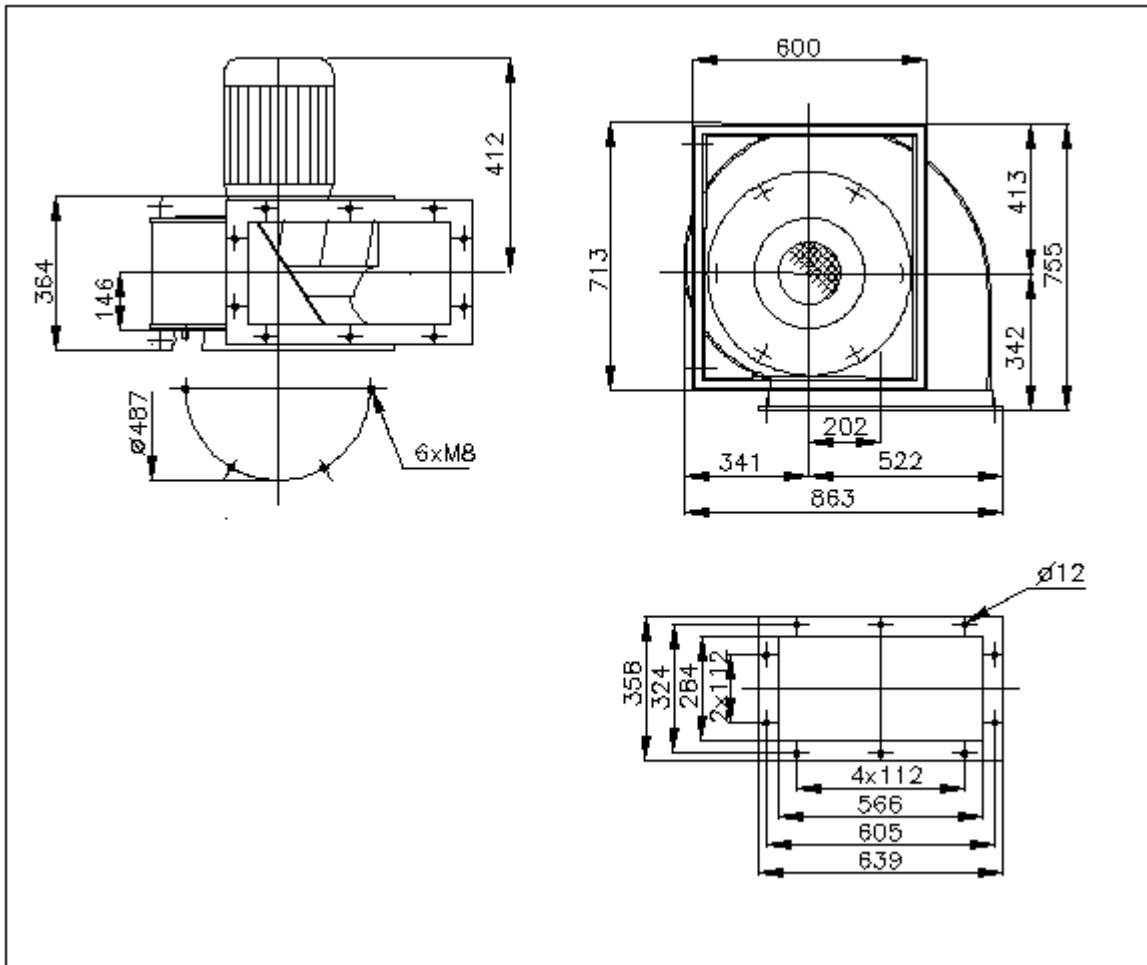
[fulfills the ErP requirements 2015](#)

Description	Value Dimension
Specified duty point	
Actual duty point	
Installation acc. DIN 24163 Part 1	B
Reference density (Rho1)	1.20 kg/m ³
Medium temperature (t)	20 C
Fan weight	41 kg
<small>SOUND PRESSURE levels at 1/2/3 m distance can be calculated with free sound propagation approximately by reducing the SOUND POWER level by 11/17/20 dB !</small>	
Rated data	
Phases-Voltage-Frequency	3~230/400-50 V-Hz
Frame size-poles:	90S / IE3-4
Motor rating (P _N)	1.1 kW
Rated motor speed (n _N)	1425 min ⁻¹
Rated motor current (I _N)	4,2/2,42 A
operational limits	
Temperature range of conveying medium (t _{min} ... t _{max})	-20...60 C
ErP-Data at best efficiency and density - kg/m³	
measurement- / efficiency category	B / total
design status of VSD	without VSD
overall efficiency (ETA _{opt})	65.5 %
achieved efficiency grade (N _{ist})	75.4
required efficiency grade in 2013 / 2015 (N)	61 / 64
Air flow rate (V _{opt})	4074 m ³ /h
pressure rise (dp _{opt})	646 Pa
Fan speed (n _{vopt})	1425 min ⁻¹
motor power input (P _{1opt})	1.12 kW
specific ratio (d _{dpopt})	1.006

Fan curve to REM 11-0450-43-13-J



Dimensions to REM 11-0450-43-13-J



Rotation:
Handing:

RD
90